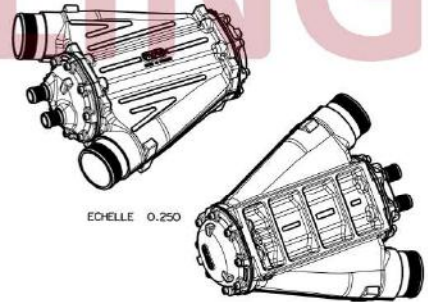


Part. View F

Part. View E



ECHELLE 0.250

7	Screw	16
6	O Ring	4
5	Spacer	1
4	MOTA Element (tubestack)	1
3	Cover	1
2	Cover Inlet / Outlet	1
1	Housing	1
Ref	Name	Qt.

Rugosite Ro					
MODIFICATION	NUMERO	DATE	NBRE	MATIERE	OBSERVATIONS
<b>MOTA</b>					
Charge Air Cooler				ECHELLE: M	
Assembly				103788	