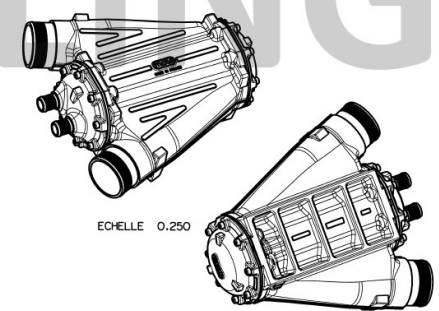


Part. View F

Part. View E



7	Screw	16			
6	O Ring	4			
5	Spacer	1			
4	MOTA Element (tubestack)	1			
3	Cover	1			
2	Cover Inlet / Outlet	1			
1	Housing	1			
Ref	Name	Qt.			

Rugosite Ro					
MODIFICATION	NUMERO	DATE	NERE	MATIERE	OBSERVATIONS
<b>MOTA</b>					
Charge Air Cooler				Echelle: 1/1	
Assembly				103788	