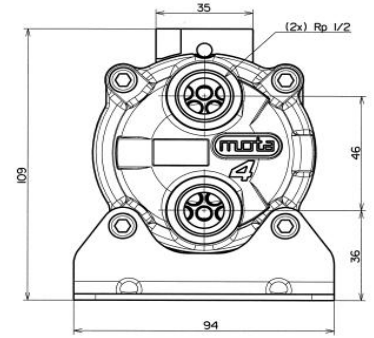
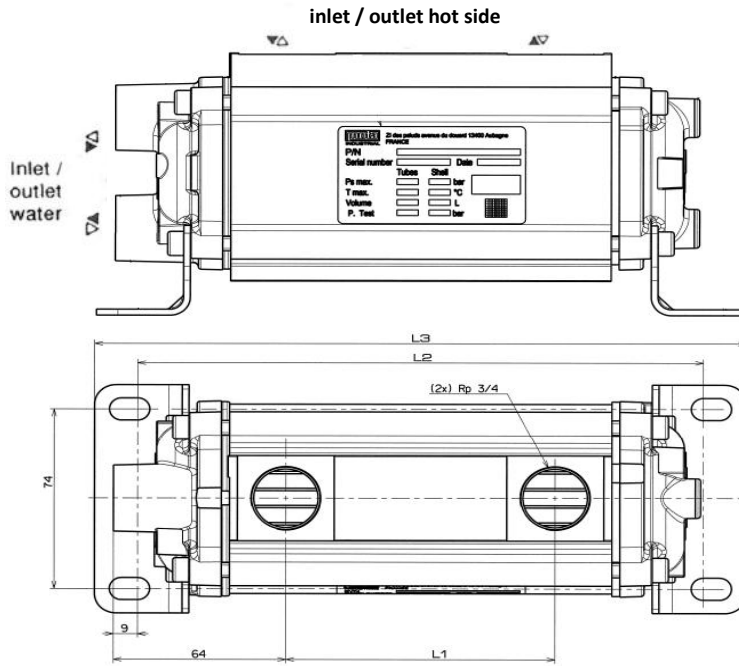
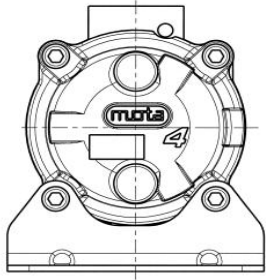


**TECHNICAL
DATA**

**MULTITUBULAR HEAT EXCHANGER
Oil / Water
E065 - xxx - 4**



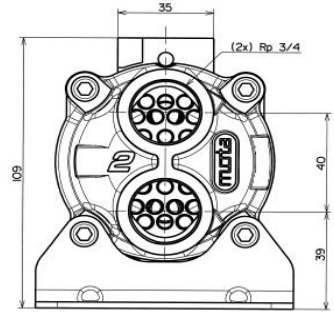
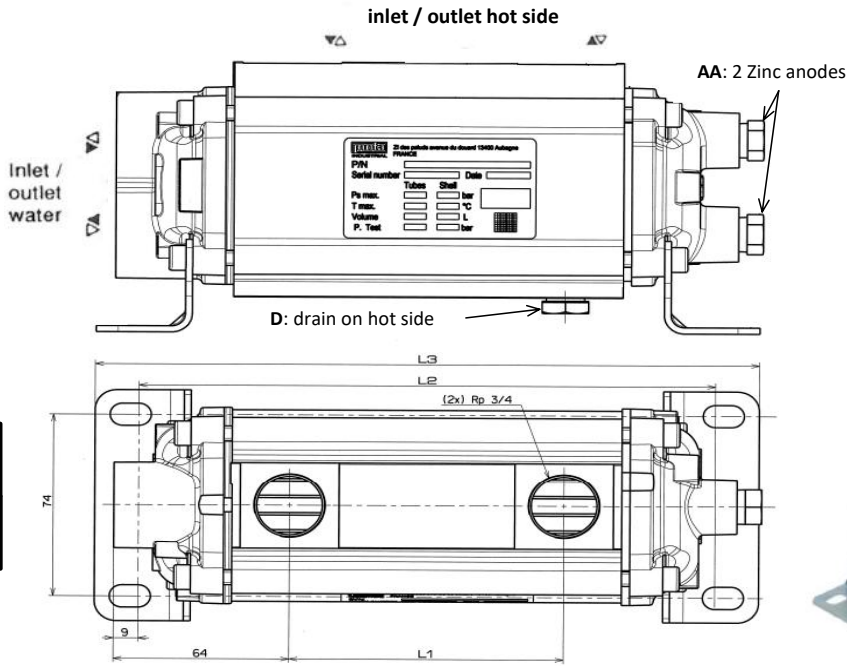
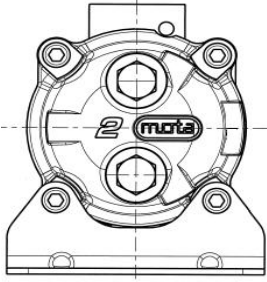
Outside tubes: oil / water
Inside tubes : water

Hot side: Rp 3/4"
Cold side: Rp 1/2"

Data	Cooling of oil / water by untreated water or sea water					
Dimensions [mm]	Core length [mm]					
		161	241	411		
	L1	100	180	330		
	L2	210	290	322		
Area [m²]	A	0,15	0,23	0,39		
Volume [L]	Outside tubes	0,28	0,43	0,75		
	Inside tubes	0,26	0,34	0,51		
Weight [kg] for standard version	Total	2,80	3,40	4,70		
	Working characteristics	Maximum working pressure [bar]		Outside tubes	16	Maximum water flow rate Qw = 30.6 L/min
Inside tubes				10		
Maximum working temperature [°C]		Outside tubes	120			
		Inside tubes	90			
Designation	Tube	Tube plate	Baffle	Shell	Cover	O-ring
Materials	Copper	Brass	Brass	Anodized aluminium	Brass	Viton
Model	<div style="display: flex; justify-content: center; align-items: center; gap: 10px;"> <div style="border: 1px solid black; padding: 2px 5px;">E</div> <div style="border: 1px solid black; padding: 2px 5px;">0</div> <div style="border: 1px solid black; padding: 2px 5px;">6</div> <div style="border: 1px solid black; padding: 2px 5px;">5</div> - <div style="border: 1px solid black; padding: 2px 5px;">2</div> <div style="border: 1px solid black; padding: 2px 5px;">4</div> <div style="border: 1px solid black; padding: 2px 5px;">1</div> - <div style="border: 1px solid black; padding: 2px 5px;">4</div> </div> <div style="margin-top: 10px; text-align: center;"> <p>Type</p> <p>Core diameter</p> <p>Core length</p> <p>Number of passes on cold side</p> </div>					

**TECHNICAL
DATA**

**MULTITUBULAR HEAT EXCHANGER
Oil / Water
E065 - xxx - 2**

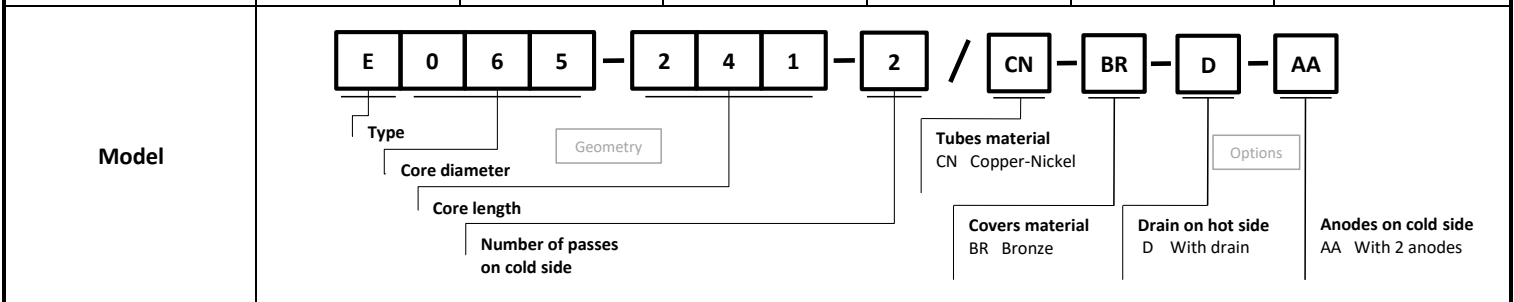


Outside tubes: oil / water
Inside tubes : water

Hot side: Rp 3/4"
Cold side: Rp 3/4"

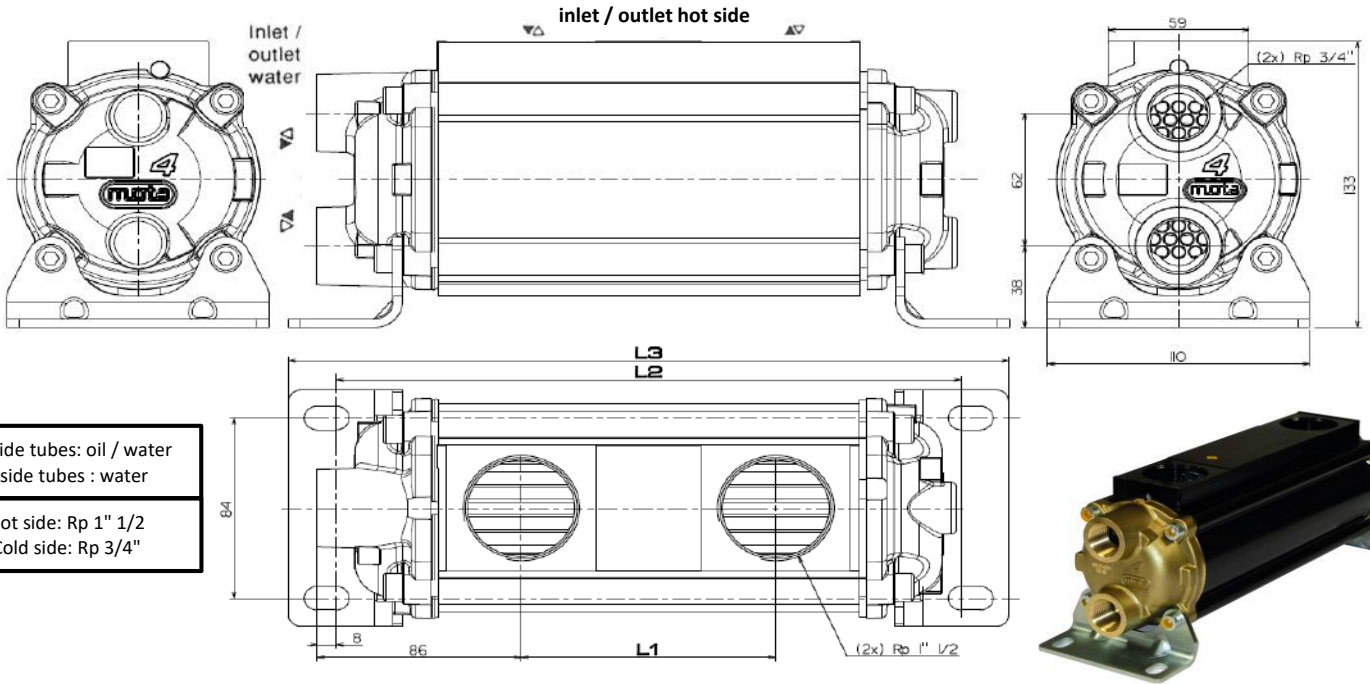


Data	Cooling of oil / water by untreated water or sea water					
Dimensions [mm]	Core length [mm]					
		161	241	411		
	L1	100	180	330		
	L2	210	290	322		
Area [m²]	A	0,15	0,23	0,39		
Volume [L]	Outside tubes	0,28	0,43	0,75		
	Inside tubes	0,26	0,34	0,51		
Weight [kg] for standard version	Total	2,80	3,40	4,70		
	Working characteristics	Maximum working pressure [bar]		Outside tubes	16	Maximum water flow rate Qw = 60 L/min
Inside tubes				10		
Maximum working temperature [°C]		Outside tubes	120			
		Inside tubes	90			
Designation	Tube	Tube plate	Baffle	Shell	Cover	O-ring
Materials	see options	Brass	Brass	Anodized aluminium	see options	Viton



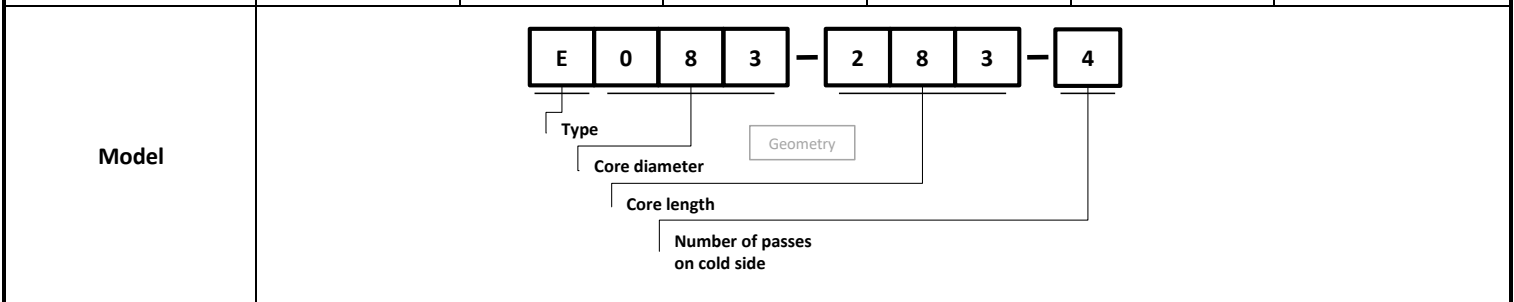
**TECHNICAL
DATA**

**MULTITUBULAR HEAT EXCHANGER
Oil / Water
E083 - xxx - 4**



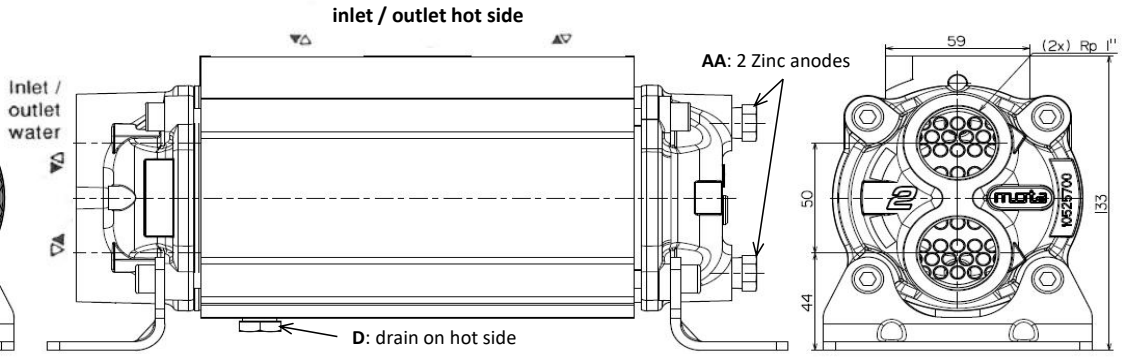
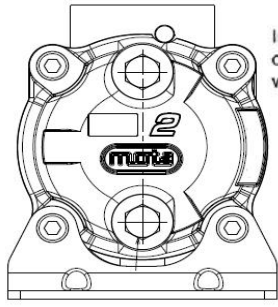
Outside tubes: oil / water
Inside tubes : water
Hot side: Rp 1" 1/2
Cold side: Rp 3/4"

Data	Cooling of oil / water by untreated water or sea water					
Dimensions [mm]	Core length [mm]					
		196	283	411		
	L1	107	194	322		
	L2	263	350	478		
	L3	303	390	518		
Area [m²]	A	0,31	0,46	0,68		
Volume [L]	Outside tubes	0,54	0,80	1,18		
	Inside tubes					
Weight [kg] for standard version	Total	6,10	7,60	9,90		
	Working characteristics	Maximum working pressure [bar]		Outside tubes	16	Maximum water flow rate Qw = 75 L/min
Inside tubes				10		
Maximum working temperature [°C]		Outside tubes	120			
		Inside tubes	90			
Designation	Tube	Tube plate	Baffle	Shell	Cover	O-ring
Materials	Copper	Brass	Brass	Anodized aluminium	Brass	Viton



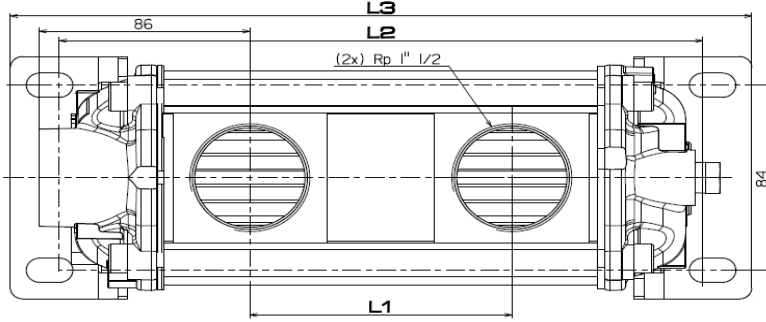
**TECHNICAL
DATA**

**MULTITUBULAR HEAT EXCHANGER
Oil / Water
E083 - xxx - 2**



Outside tubes: oil / water
Inside tubes : water

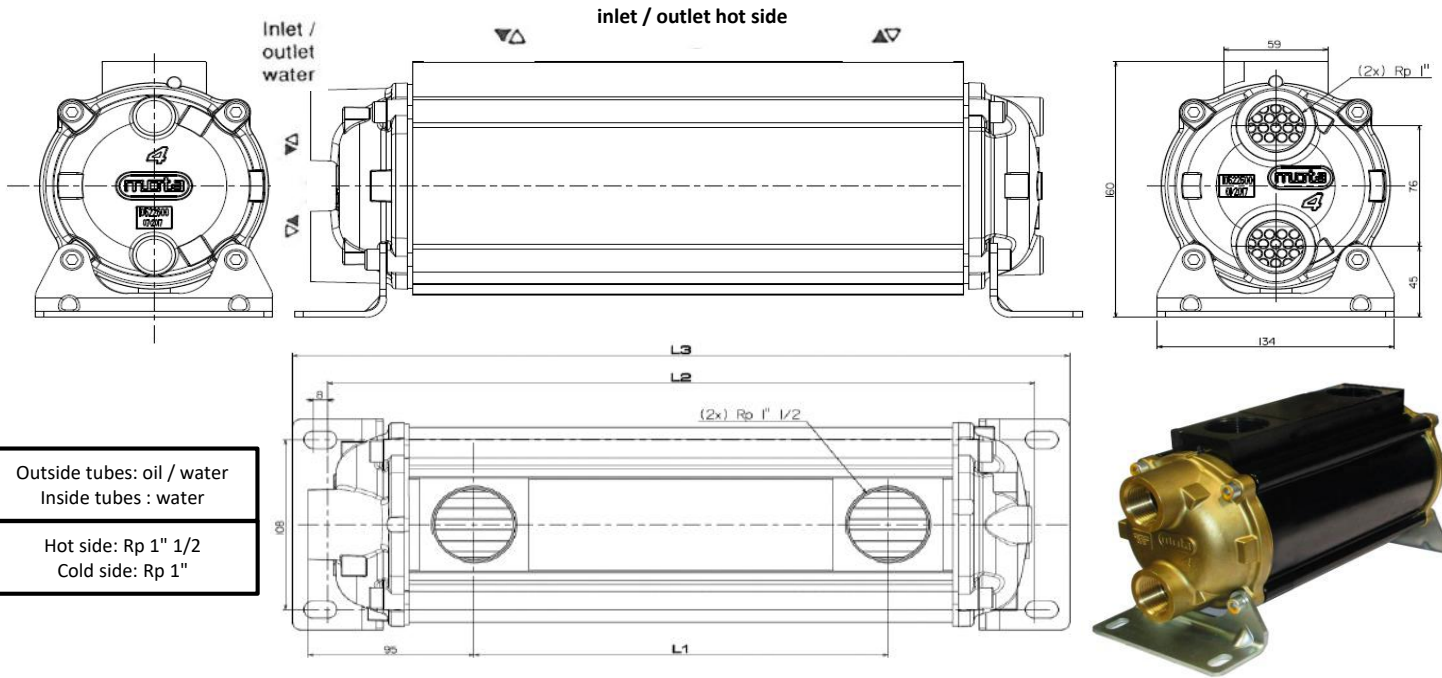
Hot side: Rp 1" 1/2
Cold side: Rp 1"



Data	Cooling of oil / water by untreated water or sea water					
Dimensions [mm]	Core length [mm]					
		196	283	411		
	L1	107	194	322		
	L2	263	350	478		
	L3	303	390	518		
Area [m²]	A	0,31	0,46	0,68		
Volume [L]	Outside tubes	0,54	0,80	1,18		
	Inside tubes					
Weight [kg] for standard version	Total	6,10	7,60	9,90		
Working characteristics	Maximum working pressure [bar]		Outside tubes	16	Maximum water flow rate Qw = 150 L/min	
			Inside tubes	10		
	Maximum working temperature [°C]		Outside tubes	120		
			Inside tubes	90		
Designation	Tube	Tube plate	Baffle	Shell	Cover	O-ring
Materials	see options	Brass	Brass	Anodized aluminium	see options	Viton
Model	<div style="display: flex; justify-content: space-around; align-items: flex-start;"> <div style="text-align: center;"> <div style="border: 1px solid black; padding: 2px; margin-bottom: 5px;">E</div> <div style="border: 1px solid black; padding: 2px; margin-bottom: 5px;">0</div> <div style="border: 1px solid black; padding: 2px; margin-bottom: 5px;">8</div> <div style="border: 1px solid black; padding: 2px; margin-bottom: 5px;">3</div> <div style="border: 1px solid black; padding: 2px; margin-bottom: 5px;">-</div> <div style="border: 1px solid black; padding: 2px; margin-bottom: 5px;">2</div> <div style="border: 1px solid black; padding: 2px; margin-bottom: 5px;">8</div> <div style="border: 1px solid black; padding: 2px; margin-bottom: 5px;">3</div> <div style="border: 1px solid black; padding: 2px; margin-bottom: 5px;">-</div> <div style="border: 1px solid black; padding: 2px; margin-bottom: 5px;">2</div> <div style="border: 1px solid black; padding: 2px; margin-bottom: 5px;">/</div> <div style="border: 1px solid black; padding: 2px; margin-bottom: 5px;">CN</div> <div style="border: 1px solid black; padding: 2px; margin-bottom: 5px;">-</div> <div style="border: 1px solid black; padding: 2px; margin-bottom: 5px;">BR</div> <div style="border: 1px solid black; padding: 2px; margin-bottom: 5px;">-</div> <div style="border: 1px solid black; padding: 2px; margin-bottom: 5px;">D</div> <div style="border: 1px solid black; padding: 2px; margin-bottom: 5px;">-</div> <div style="border: 1px solid black; padding: 2px; margin-bottom: 5px;">AA</div> </div> <div style="display: flex; justify-content: space-between; margin-top: 10px;"> <div style="width: 30%;"> <p>Type</p> <p>Core diameter</p> <p>Core length</p> <p>Number of passes on cold side</p> </div> <div style="width: 30%;"> <p>Geometry</p> <p>Tubes material CN Copper-Nickel</p> <p>Covers material BR Bronze</p> </div> <div style="width: 30%;"> <p>Options</p> <p>Drain on hot side D With drain</p> <p>Anodes on cold side AA With 2 anodes</p> </div> </div> </div>					

**TECHNICAL
DATA**

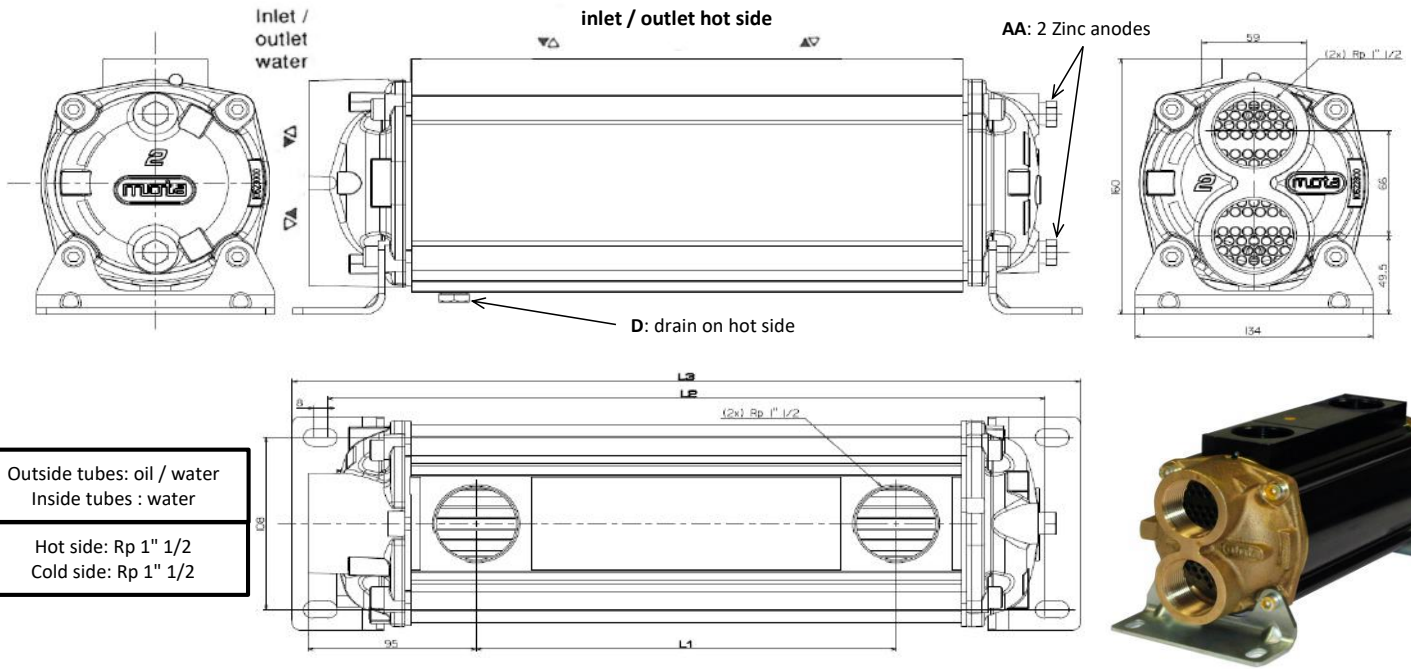
**MULTITUBULAR HEAT EXCHANGER
Oil / Water
E110 - xxx - 4**



Data	Cooling of oil / water by untreated water or sea water															
Dimensions [mm]	Core length [mm]															
		241	330	564												
	L1	148	237	471												
	L2	316	405	639												
Area [m²]	A	0,70	0,98	1,70												
Volume [L]	Outside tubes	1,14	1,59	2,77												
	Inside tubes															
Weight [kg] for standard version	Total	10,00	12,20	18,20												
	Working characteristics	Maximum working pressure [bar]		Outside tubes	16	Maximum water flow rate Qw = 140 L/min										
Inside tubes				10												
Maximum working temperature [°C]		Outside tubes	120													
		Inside tubes	90													
Designation	Tube	Tube plate	Baffle	Shell	Cover	O-ring										
Materials	Copper	Brass	Brass	Anodized aluminium	Brass	Viton										
Model	<table border="1" style="margin: auto;"> <tr> <td style="padding: 5px;">E</td> <td style="padding: 5px;">1</td> <td style="padding: 5px;">1</td> <td style="padding: 5px;">0</td> <td style="padding: 5px;">-</td> <td style="padding: 5px;">2</td> <td style="padding: 5px;">4</td> <td style="padding: 5px;">1</td> <td style="padding: 5px;">-</td> <td style="padding: 5px;">4</td> </tr> </table> <div style="margin-top: 10px;"> <p>Type: E 1 1 0</p> <p>Core diameter: 2 4 1</p> <p>Core length: 4</p> <p>Number of passes on cold side: 4</p> </div>						E	1	1	0	-	2	4	1	-	4
E	1	1	0	-	2	4	1	-	4							

**TECHNICAL
DATA**

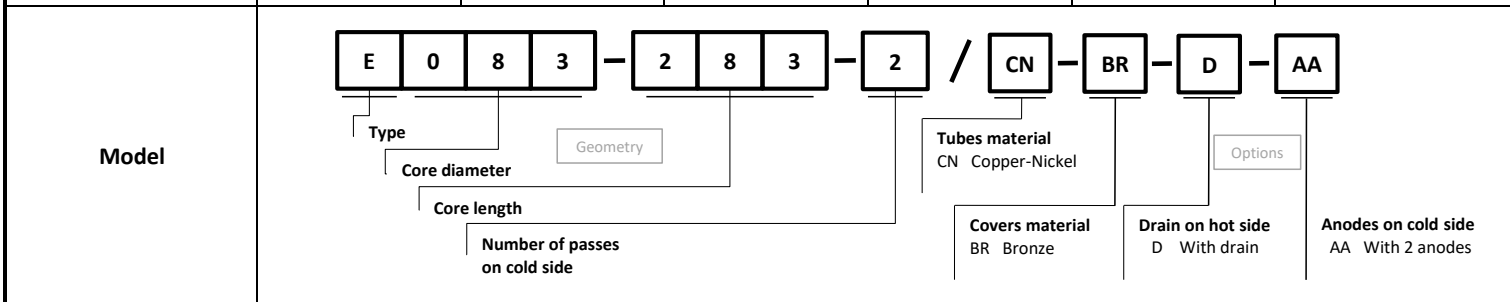
**MULTITUBULAR HEAT EXCHANGER
Oil / Water
E110 - xxx - 2**



Outside tubes: oil / water
Inside tubes : water

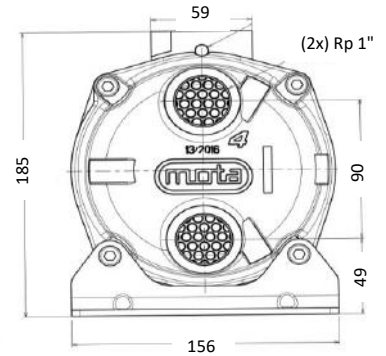
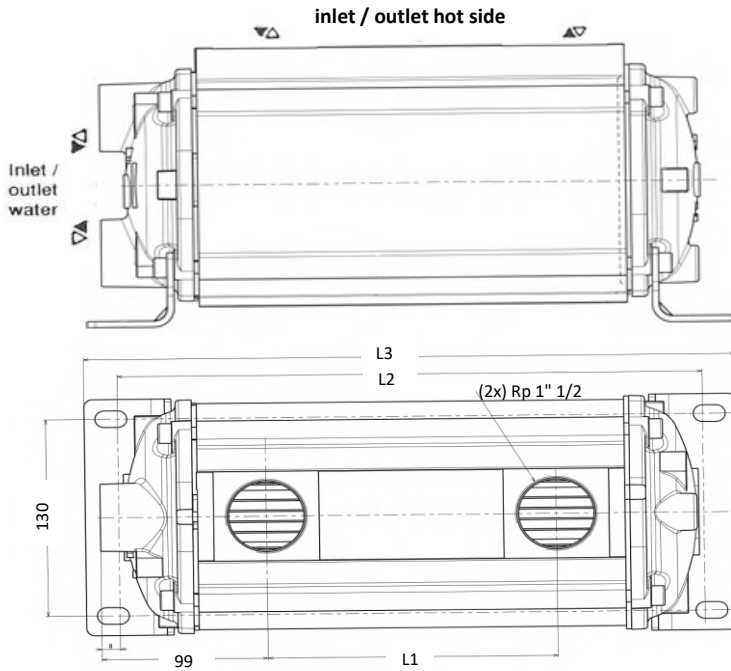
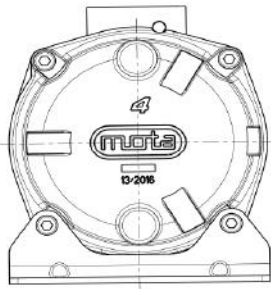
Hot side: Rp 1" 1/2
Cold side: Rp 1" 1/2

Data	Cooling of oil / water by untreated water or sea water					
Dimensions [mm]	Core length [mm]					
		241	330	564		
	L1	148	237	471		
	L2	316	405	639		
	L3	356	445	679		
Area [m²]	A	0,70	0,98	1,70		
Volume [L]	Outside tubes	1,14	1,59	2,77		
	Inside tubes					
Weight [kg] for standard version	Total	10,00	12,20	18,20		
Working characteristics	Maximum working pressure [bar]		Outside tubes	16	Maximum water flow rate Qw = 280 L/min	
			Inside tubes	10		
	Maximum working temperature [°C]		Outside tubes	120		
			Inside tubes	90		
Designation	Tube	Tube plate	Baffle	Shell	Cover	O-ring
Materials	see options	Brass	Brass	Anodized aluminium	see options	Viton



**TECHNICAL
DATA**

**MULTITUBULAR HEAT EXCHANGER
Oil / Water
E135 - xxx - 4**



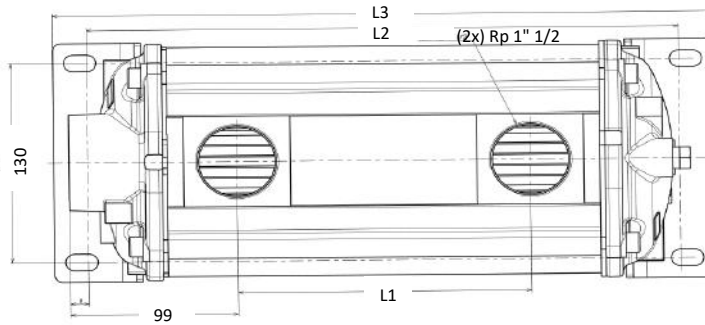
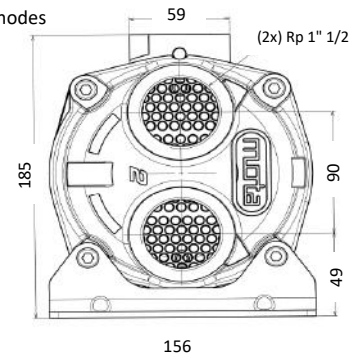
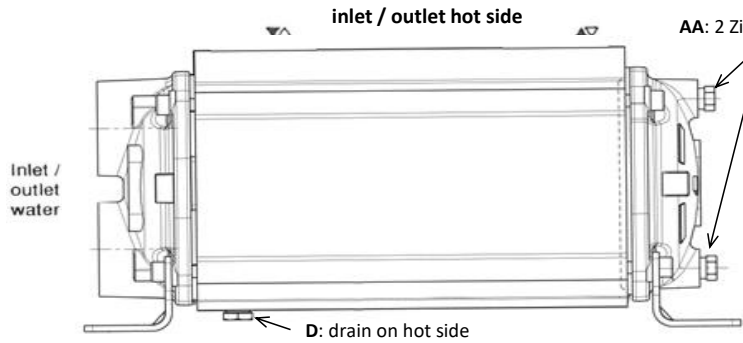
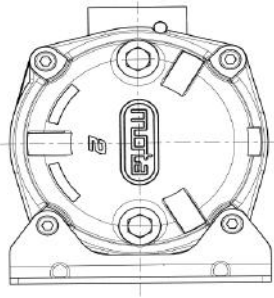
Outside tubes: oil / water
Inside tubes : water

Hot side: Rp 1" 1/2
Cold side: Rp 1"

Data	Cooling of oil / water by untreated water or sea water					
Dimensions [mm]	Core length [mm]					
		283	411	564		
	L1	182	310	463		
	L2	358	496	639		
	L3	398	526	679		
Area [m²]	A	1,34	1,98	2,74		
Volume [L]	Outside tubes	1,99	2,83	3,92		
	Inside tubes					
Weight [kg] for standard version	Total	14,20	19,30	24,20		
Working characteristics	Maximum working pressure [bar]		Outside tubes	16	Maximum water flow rate Qw = 230 L/min	
			Inside tubes	10		
	Maximum working temperature [°C]		Outside tubes	120		
			Inside tubes	90		
Designation	Tube	Tube plate	Baffle	Shell	Cover	O-ring
Materials	Copper	Brass	Brass	Anodized aluminium	Brass	Viton
Model	<div style="display: flex; justify-content: center; align-items: center; gap: 10px;"> <div style="border: 1px solid black; padding: 2px 5px;">E</div> <div style="border: 1px solid black; padding: 2px 5px;">1</div> <div style="border: 1px solid black; padding: 2px 5px;">3</div> <div style="border: 1px solid black; padding: 2px 5px;">5</div> <div style="font-size: 20px;">-</div> <div style="border: 1px solid black; padding: 2px 5px;">2</div> <div style="border: 1px solid black; padding: 2px 5px;">8</div> <div style="border: 1px solid black; padding: 2px 5px;">3</div> <div style="font-size: 20px;">-</div> <div style="border: 1px solid black; padding: 2px 5px;">4</div> </div> <div style="margin-top: 10px; text-align: center;"> <p>Type</p> <p>Core diameter</p> <p>Core length</p> <p>Number of passes on cold side</p> <p>Geometry</p> </div>					

**TECHNICAL
DATA**

**MULTITUBULAR HEAT EXCHANGER
Oil / Water
E135 - xxx - 2**



Outside tubes: oil / water
Inside tubes : water

Hot side: Rp 1" 1/2
Cold side: Rp 1" 1/2

Data	Cooling of oil / water by untreated water or sea water						
Dimensions [mm]	Core length [mm]						
		283	411	564			
	L1	182	310	463			
	L2	358	496	639			
	L3	398	526	679			
Area [m²]	A	1,34	1,98	2,74			
Volume [L]	Outside tubes	1,99	2,83	3,92			
	Inside tubes						
Weight [kg] for standard version	Total	14,20	19,30	24,20			
Working characteristics	Maximum working pressure [bar]		Outside tubes	16	Maximum water flow rate Qw = 460 L/min		
			Inside tubes	10			
	Maximum working temperature [°C]		Outside tubes	120			
			Inside tubes	90			
Designation	Tube	Tube plate	Baffle	Shell	Cover	O-ring	
Materials	CN: Copper-nickel		Brass	Brass	anodized Aluminium	BR: Bronze	Viton
Model	<div style="display: flex; justify-content: space-around; align-items: center;"> <div style="border: 1px solid black; padding: 2px;">E</div> <div style="border: 1px solid black; padding: 2px;">1</div> <div style="border: 1px solid black; padding: 2px;">3</div> <div style="border: 1px solid black; padding: 2px;">5</div> <div style="font-size: 1.2em;">-</div> <div style="border: 1px solid black; padding: 2px;">2</div> <div style="border: 1px solid black; padding: 2px;">8</div> <div style="border: 1px solid black; padding: 2px;">3</div> <div style="font-size: 1.2em;">-</div> <div style="border: 1px solid black; padding: 2px;">2</div> <div style="font-size: 1.2em;">/</div> <div style="border: 1px solid black; padding: 2px;">CN</div> <div style="font-size: 1.2em;">-</div> <div style="border: 1px solid black; padding: 2px;">BR</div> <div style="font-size: 1.2em;">-</div> <div style="border: 1px solid black; padding: 2px;">D</div> <div style="font-size: 1.2em;">-</div> <div style="border: 1px solid black; padding: 2px;">AA</div> </div>						
	<div style="display: flex; justify-content: space-between;"> <div style="width: 30%;"> <p>Type</p> <p>Core diameter</p> <p>Core length</p> <p>Number of passes on cold side</p> </div> <div style="width: 30%;"> <p>Geometry</p> <p>Tubes material CN Copper-Nickel</p> <p>Covers material BR Bronze</p> </div> <div style="width: 30%;"> <p>Options</p> <p>Drain on hot side D With drain</p> <p>Anodes on cold side AA With 2 anodes</p> </div> </div>						