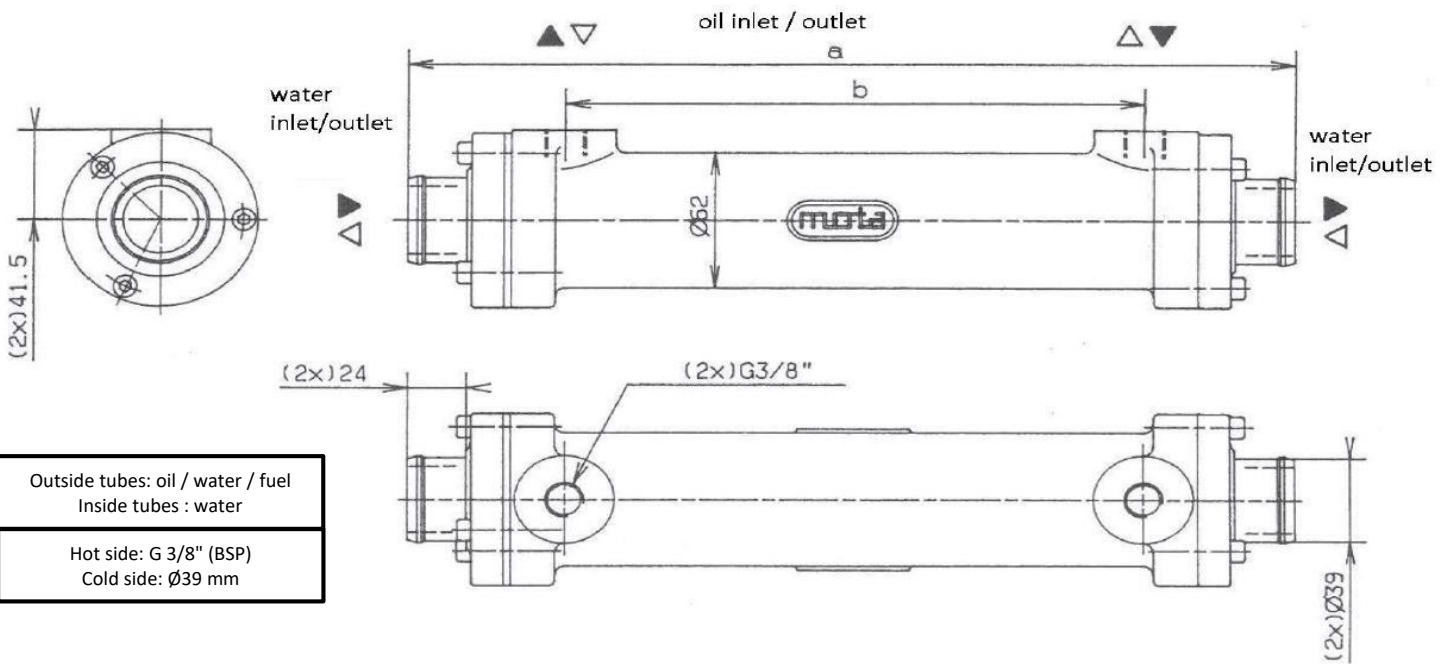


**TECHNICAL
DATA**

**MULTITUBULAR HEAT EXCHANGER
Oil-Water-Fuel / Water
I052**

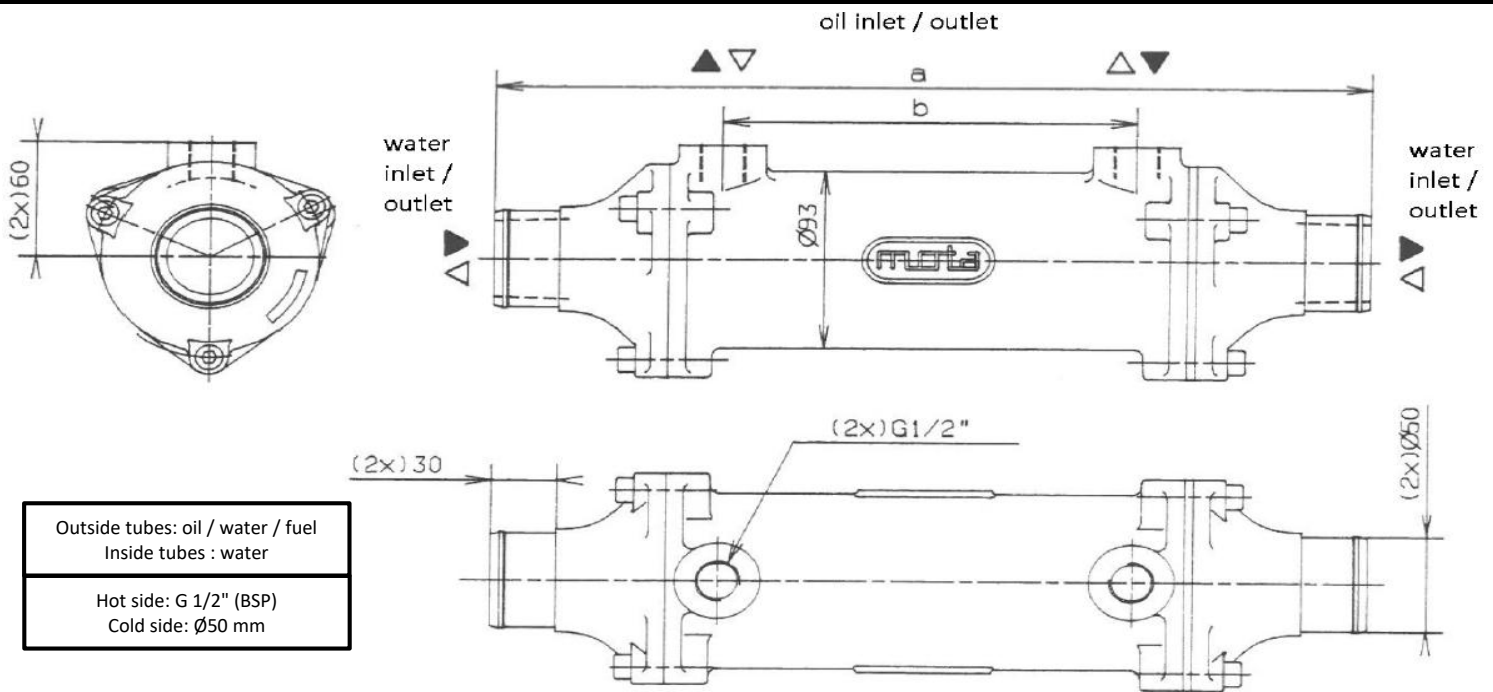


Outside tubes: oil / water / fuel Inside tubes : water
Hot side: G 3/8" (BSP) Cold side: Ø39 mm

Data	Cooling of oil / water / fuel by untreated water or sea water															
Dimensions [mm]	Core length [mm]															
		221	293													
	a	289,5	361,5													
	b	164,5	236,5													
Area [m²]	A	0,09	0,12													
Volume [L]	Outside tubes	0,29	0,38													
	Inside tubes	0,17	0,21													
Weight [kg]	Total	2,50	2,86													
Working characteristics	Maximum working pressure [bar]		Outside tubes	25	Maximum water flow rate Qw = 115 L/min											
			Inside tubes	10												
	Maximum working temperature [°C]		Outside tubes	120												
			Inside tubes	90												
Designation	Tube	Tube plate	Baffle	Shell	Water connection	O-rings										
Materials	Copper-Nickel	Brass	Brass	Aluminium	Bronze	Viton										
Model	<table border="1" style="margin: auto;"> <tr> <td style="padding: 5px;">1</td> <td style="padding: 5px;">0</td> <td style="padding: 5px;">5</td> <td style="padding: 5px;">2</td> <td style="padding: 5px;">-</td> <td style="padding: 5px;">2</td> <td style="padding: 5px;">2</td> <td style="padding: 5px;">1</td> <td style="padding: 5px;">-</td> <td style="padding: 5px;">1</td> </tr> </table> <div style="margin-top: 10px;"> <p>Type: 1052</p> <p>Core diameter: 221</p> <p>Core length: 293</p> <p>Number of passes on cold side: 1</p> </div>						1	0	5	2	-	2	2	1	-	1
1	0	5	2	-	2	2	1	-	1							

**TECHNICAL
DATA**

**MULTITUBULAR HEAT EXCHANGER
Oil-Water-Fuel / Water
I083**



Data	Cooling of oil / water / fuel by untreated water or sea water					
Dimensions [mm]	Core length [mm]					
		255	457			
	a	402	604			
	b	190	392			
Area [m²]	A	0,43	0,78			
Volume [L]	Outside tubes	0,81	1,50			
	Inside tubes	0,78	1,21			
Weight [kg]	Total	6,20	8,53			
Working characteristics	Maximum working pressure [bar]		Outside tubes	25	Maximum water flow rate Qw = 320 L/min	
			Inside tubes	10		
	Maximum working temperature [°C]		Outside tubes	120		
			Inside tubes	90		
Designation	Tube	Tube plate	Baffle	Shell	Water connection	O-rings
Materials	Copper-Nickel	Brass	Brass	Aluminium	Bronze	Viton
Model	<div style="display: flex; justify-content: center; align-items: center; gap: 10px;"> <div style="border: 1px solid black; padding: 2px 5px;">1</div> <div style="border: 1px solid black; padding: 2px 5px;">0</div> <div style="border: 1px solid black; padding: 2px 5px;">8</div> <div style="border: 1px solid black; padding: 2px 5px;">3</div> <div style="font-size: 20px;">-</div> <div style="border: 1px solid black; padding: 2px 5px;">2</div> <div style="border: 1px solid black; padding: 2px 5px;">5</div> <div style="border: 1px solid black; padding: 2px 5px;">5</div> <div style="font-size: 20px;">-</div> <div style="border: 1px solid black; padding: 2px 5px;">1</div> </div> <div style="margin-top: 10px;"> <p>Type</p> <p>Core diameter</p> <p>Core length</p> <p>Number of passes on cold side</p> </div>					